
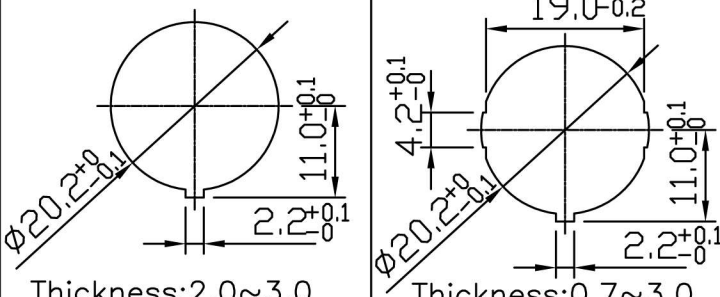
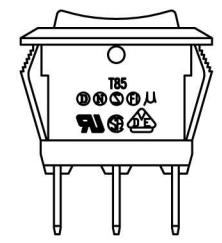
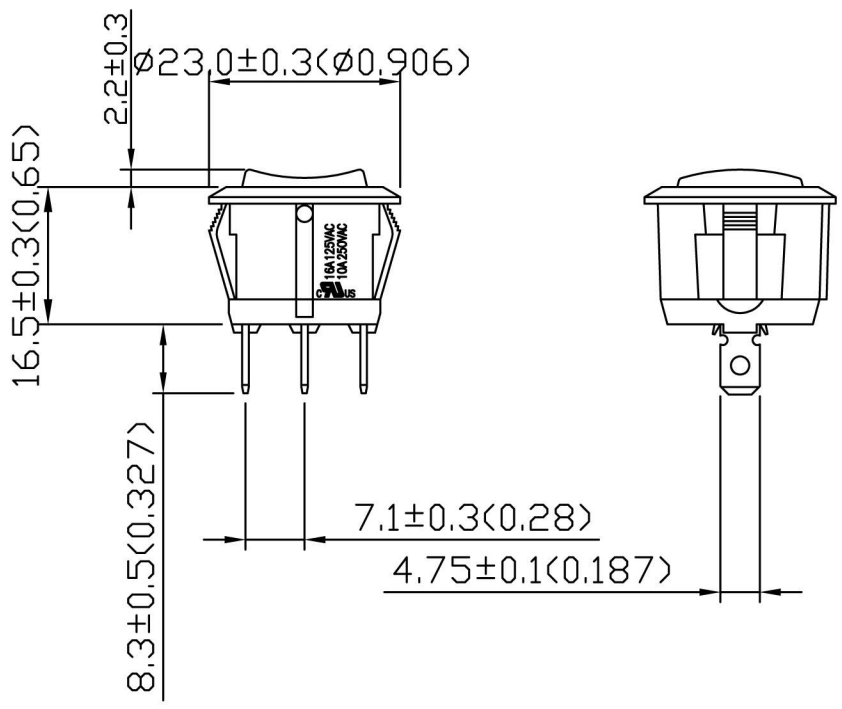
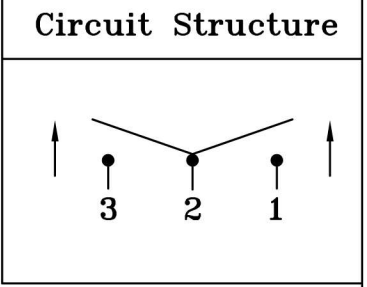
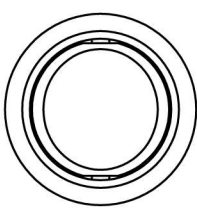


Rating	10A 125V, 6A 250V AC 6A 250V ~ 16A 125VAC 1/3HP, 10A 250VAC 1/2HP		Mount Hole
Contact R	50m ohm Max.		
Insulation R	DC 500V 100M ohm Min.		
Dielectric Strength	AC 1500V 1 minute		
Operation Temperature	-20°C~85°C		
Circuit	3P SPDT (ON)-OFF-(ON)		



Unit	mm (inch)		REV.	1
------	--------------	--	------	---